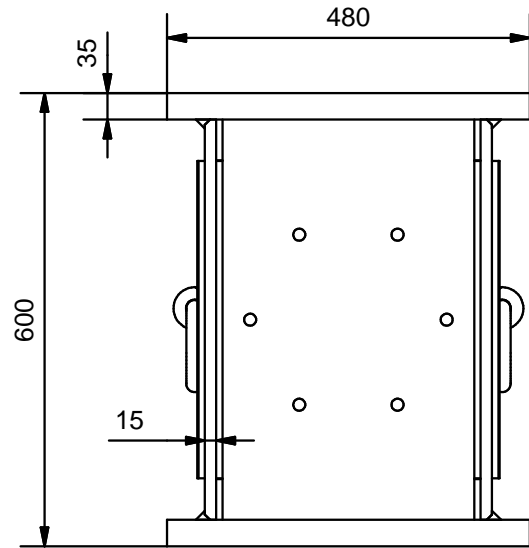


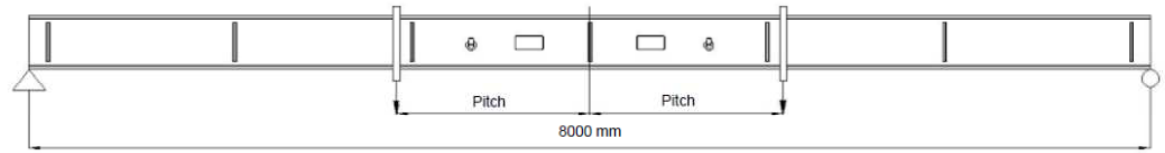
# Features HBSBL-8

SWL (max. in centre):	1010 kN	(227 kips)
Capacity off centre as per load chart		
Self Weight:	3293 kg	(7260 lbs)
Model Number HBSBL-8 includes set of two beams		

## Front view (1:10)

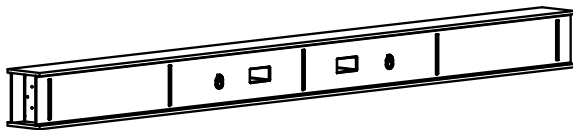
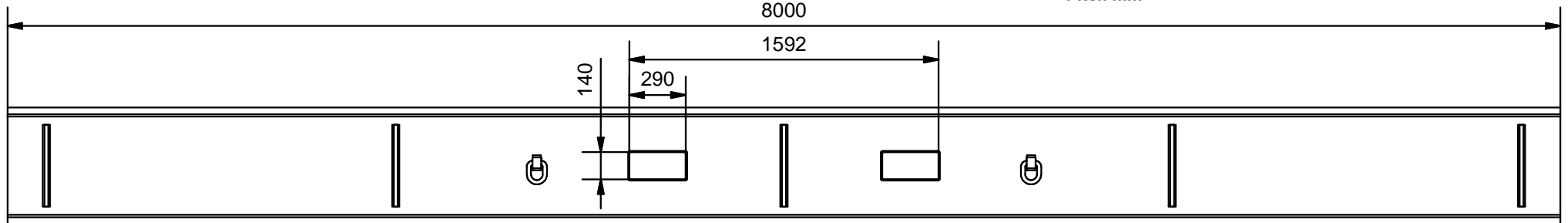
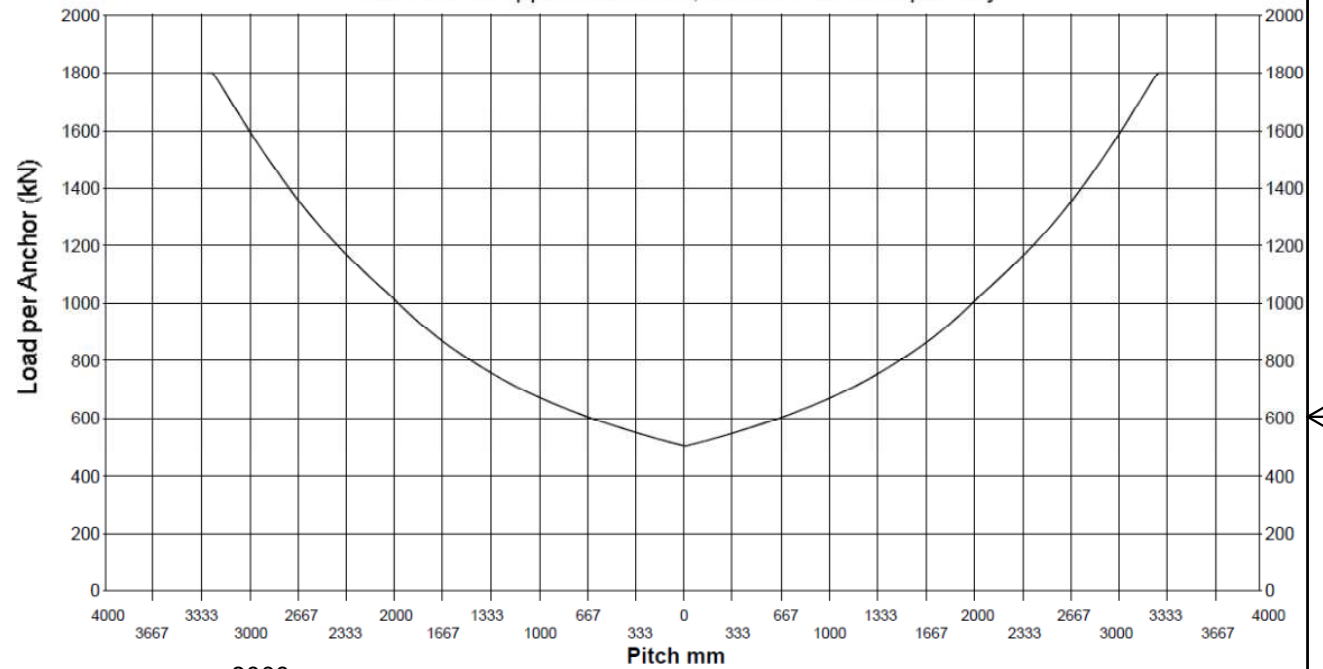


## Load Chart



## Load per Anchor

Note: if load applied in centre, load is to be multiplied by 2



OPAALSTRAAT 44, 7554 TS HENGLO HOLLAND  
PO BOX 421, 7550 AK HENGLO HOLLAND  
TELEPHONE 074-2422045 FACSIMILE 074-2430338

**ENERPAC**  
COPYRIGHTS RESERVED

3rd ANGLE  
PROJECTION

Model Number:

HBSBL-8

Main Assembly Number:

02843.01.00.00

Drawing Number:

02843.50.00.00

REV.: 0

DATE:

31-10-2013

SCALE:

1:30

FORM:

A4